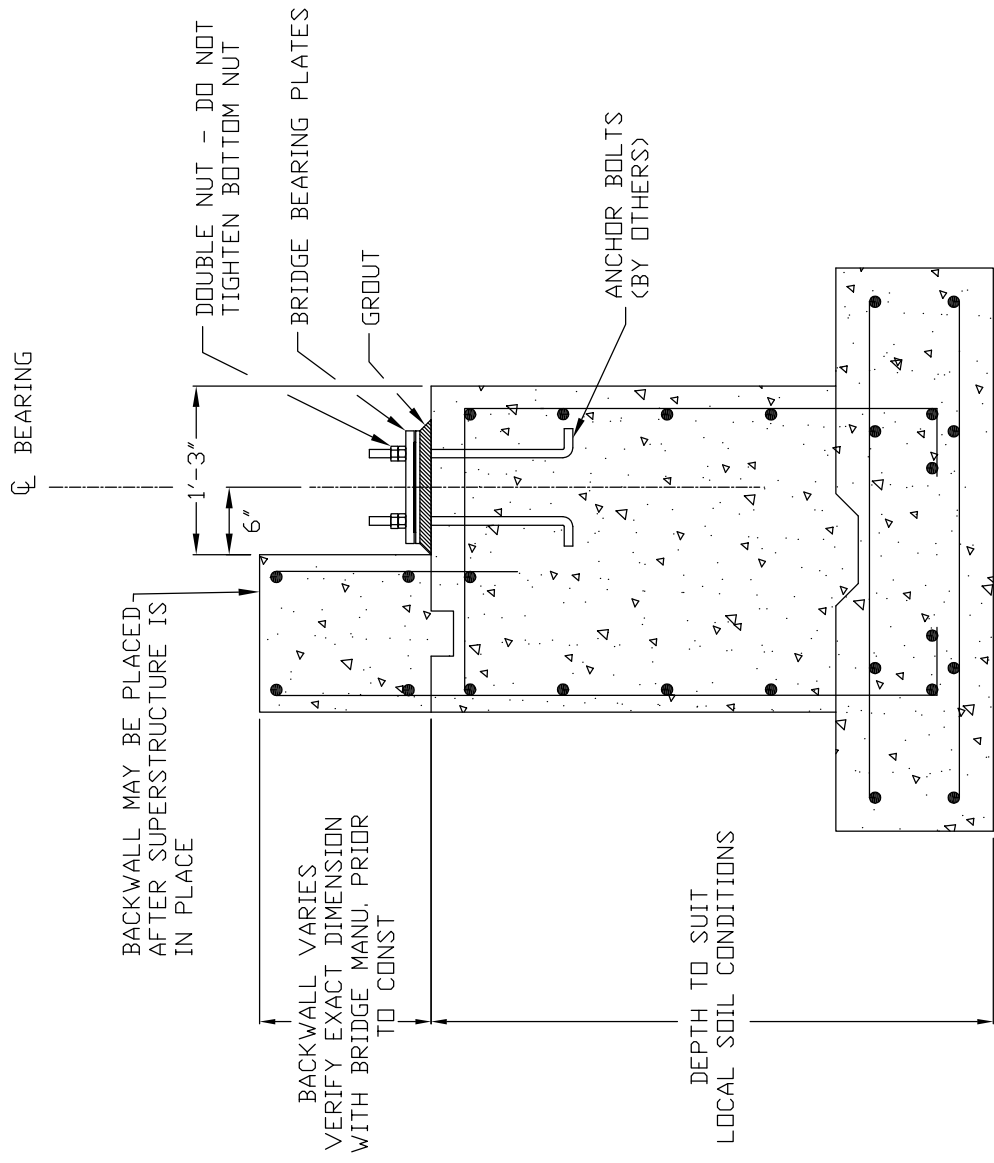
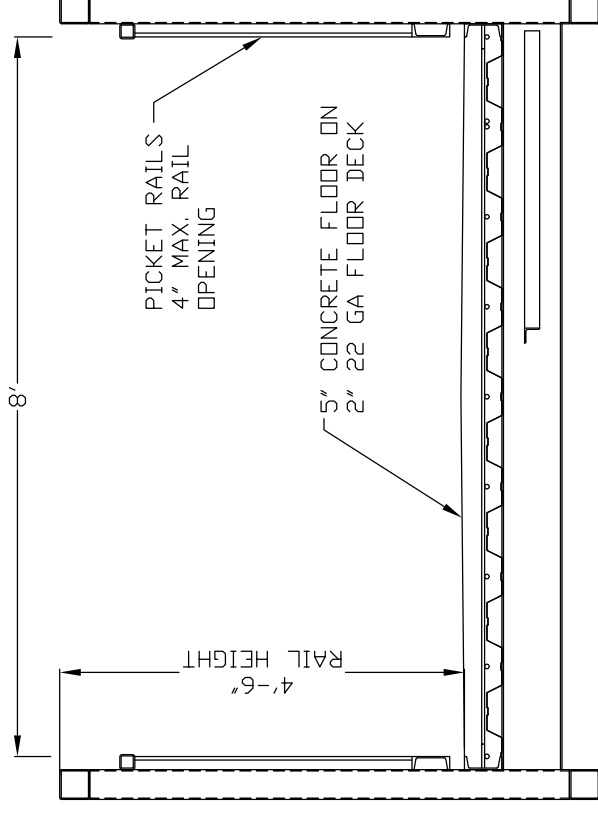


BRIDGE SIDE  
ELEVATION VIEW



TYPICAL ABUTMENT CROSS SECTION  
ABUTMENT TO BE DESIGNED BY OTHERS



BRIDGE CROSS  
SECTION

REV	A	DESCRIPTION	X	BY/DATE	X	CHECKED BY	X
A DIVISION OF <b>BAILEY BRIDGES, INC.</b> 119 40th Street NE Fort Payne, AL 35967 1-866-708-5778							
PROJECT:	REFERENCE DRAWING	DRAWN BY:	AF				
OWNER:	NOT FOR CONSTRUCTION	APPROVED BY:	X				
ADDRESS:	X	CHECKED BY:	SW				
CONTRACTOR:	X	DESCRIPTION: 8'x65' TRAILBLAZER PEDESTRIAN BRIDGE					
THIS BRIDGE STRUCTURE SHALL NOT BE FIELD MODIFIED IN ANY WAY WITHOUT THE CONSENT AND APPROVAL OF PIONEER BRIDGES. THESE DRAWINGS ARE THE PROPERTY OF PIONEER BRIDGES AND SHALL BE KEPT IN THE OFFICE OF PIONEER BRIDGES. NO PART OF THESE DRAWINGS SHALL BE REPRODUCED OR TRANSMITTED IN ANY WAY WITHOUT THE WRITTEN CONSENT OF PIONEER BRIDGES.							
							REV. JOB NO. X
							SHEET 1 OF 1

NOT FOR CONSTRUCTION